

Troubleshooting Chart:

Problem	Cause	Solution
1. System does not operate	a. No water b. Clogged water inlet strainer c. Primary float valve failure	a. Open water supply b. Disconnect inlet water line and clean strainer c. Clean or replace with valve parts kiting Drain overflow reservoir to resume operation
2. Discharge from siphon breaker	a. Failed siphon breaker	a. Repair or replace siphon breaker

* Hard water may cause build-up of mineral deposits in water valve. Remove deposits by soaking the valve parts in a deliming solution.



595 Single Solid Dissolver

Package Should Contain:

1. Dissolution Board
2. Float
3. S-hooks (2)
4. Siphon Breaker
5. Outlet Ball Valve
6. Mounting Kit
7. Instruction Manual

THANK YOU FOR YOUR INTEREST IN OUR PRODUCTS

Please use this equipment carefully and observe all warnings and cautions.

*****NOTE *****

- WEAR** protective clothing and eyewear when dispensing chemicals or other materials or when working in the vicinity of all chemicals, filling or emptying equipment, or changing metering tips.
- ALWAYS** observe safety and handling instructions of the chemical manufacturer.
direct discharge away from you or other persons or into approved containers.
dispense cleaners and chemicals in accordance with manufacturer's instructions. Exercise **CAUTION** when maintaining your equipment.
reassemble equipment according to instruction procedures. Be sure all components are firmly screwed or latched into position.
- KEEP** equipment clean to maintain proper operation.

UNIT SPECIFICATIONS:

Weight: -- 15lb. Dry
-- 35lb. With full chemical bottle and full solution reservoir
Dimensions: -- 14" W X 24" H X 10" D



1. Drill holes for the four wall anchors with a (9/32") drill, using the mounting board as a template. Make sure the board is level.



2. Install the siphon breaker by pushing the 1/4" fitting on the metal tube and the 3/8" fitting on the flexible black tube.



3. Remove top screw from black access panel to install float.



4. Install the float on the S-hook inside the board. Verify float operation is not obstructed.



5. Connect water supply line to the inlet ball valve push-in fitting.



6. Install the outlet ball.



A DOVER COMPANY



7. Connect the outlet supply line to the outlet ball valve compression fitting and tighten.

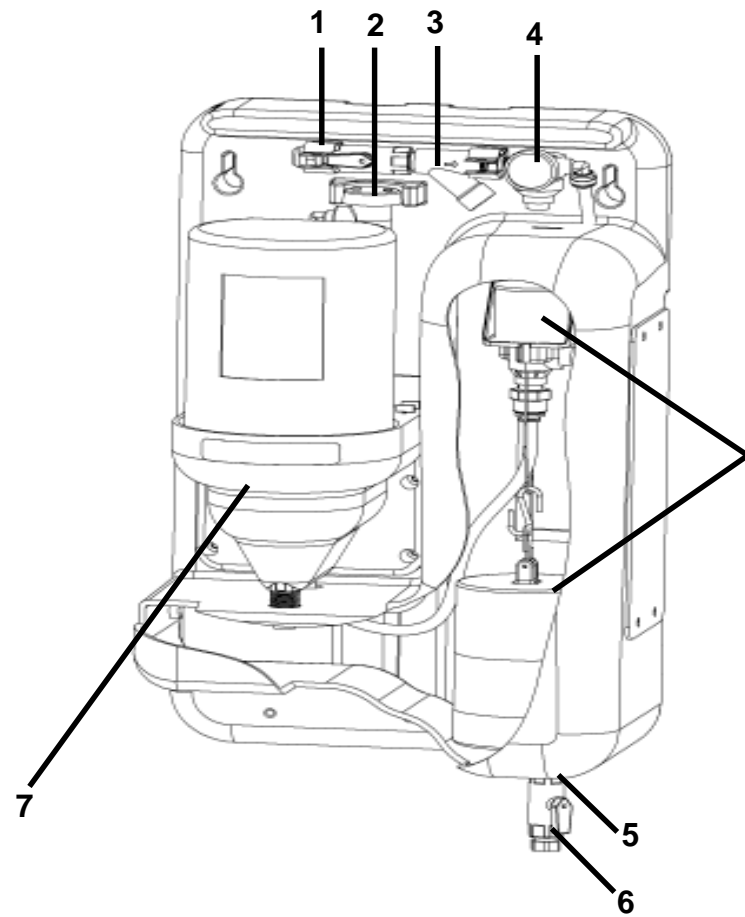


8. Place chemical bottle securely in solid bowl assembly.



9. Turn on water supply valve. Adjust pressure regulator.

SOLID DISSOLVER Parts Diagram and List:



Water valve assembly
(see diagram and parts list next page)

Key	Part No.	Description
1	90087013	Ball valve, inlet
2	506300	Siphon breaker
3	90087019	Strainer
4	90085155	Pressure regulator/gauge
5	90087021	Bushing
6	90085153	Ball valve, solution outlet
7	90086212	Solid bowl assembly

Water Valve Parts Diagram and List:

Key	Part No.	Description
1	90087063	magnet parts kit
		a. screw
		b. washer
		c. magnet cover
		d. magnet cap
		e. magnet
		f. magnet spring
		g. magnet yoke
2	10092551 6655-K	valve parts kit
		h. s-hook
		h. valve guide assembly
		i. armature spring
		j. armature
		k. diaphragm
3	520000	water valve body
4	5043-A	float

